

Cutting device for flexo printing plates

OPERATING INSTRUCTIONS

Contents:

1. Installation of the machine and connection to electric supply
2. Working process
3. Maintenance work
4. Changing of the knives
5. Security circuit
6. Changing of the lamp

Enclosed

Safety information for electrical equipment

Attachment of knife blade (diagramm), operating element- arrangement, longitudinal section

Cutting device for flexo printing plates

1. Installation of the machine and connection to electric supply

- 1.1 Connect air hose to the maintenance unit at the left side of control board.
Compressed- air ductwork system: 10 bar.
- 1.2 Adjust maintenance unit to a maximum of 8 bar.
- 1.3 Place main plug into socket- outlet.
- 1.4 Adjust pressure controller for holding- down appliance for plates to about 3 bar.
In case of varying material to be worked on find out the respective suitable pressure and adjust correspondingly.

2. Working process

- 2.1 Adjust Flexo- Plate to the front cheek (scale) .
- 2.2 manipulation over puss- button on the controll-cabinet.
for holding- down appliance: Switches " UP " and " DOWN "
for cutting: Right and Left
The Cylinder drives from right to left or from left to right
- 2.3 Holding- down appliance and cutting cylinder are electric locked.
- 2.4 Take out the material than has been worked on.

Cutting device for flexo printing plates

3.Maintenance instruction

This device is near maintenance free.

Only the water separator (compressed air connector) must be discharge from time to time.

By repair and maintenance works you must separate the device from the utility service lines electric and compressed air !

4. Changing of knife

4.1 Separate the device from electric and compressed air lines.

4.2 The knife retainer must be on the left side of the cylinder!

4.3 Open right and left the Plexiglas pane with the claw (Knives from Firma Martor, Solingen - Knives-no: 752.42)

4.4 Fastenings crews on knives retainer disconnect and blade remove new blade insert and crews tighten again.

4.5 Close the Plexiglas pane .

Cutting device for flexo printing plates

5. Security circuit

By opening the front covering cap (e.g. while changing the knife) the air supply to the whole control system is being interrupted and the control system is being de-aerated.

6. Changing of the lamp

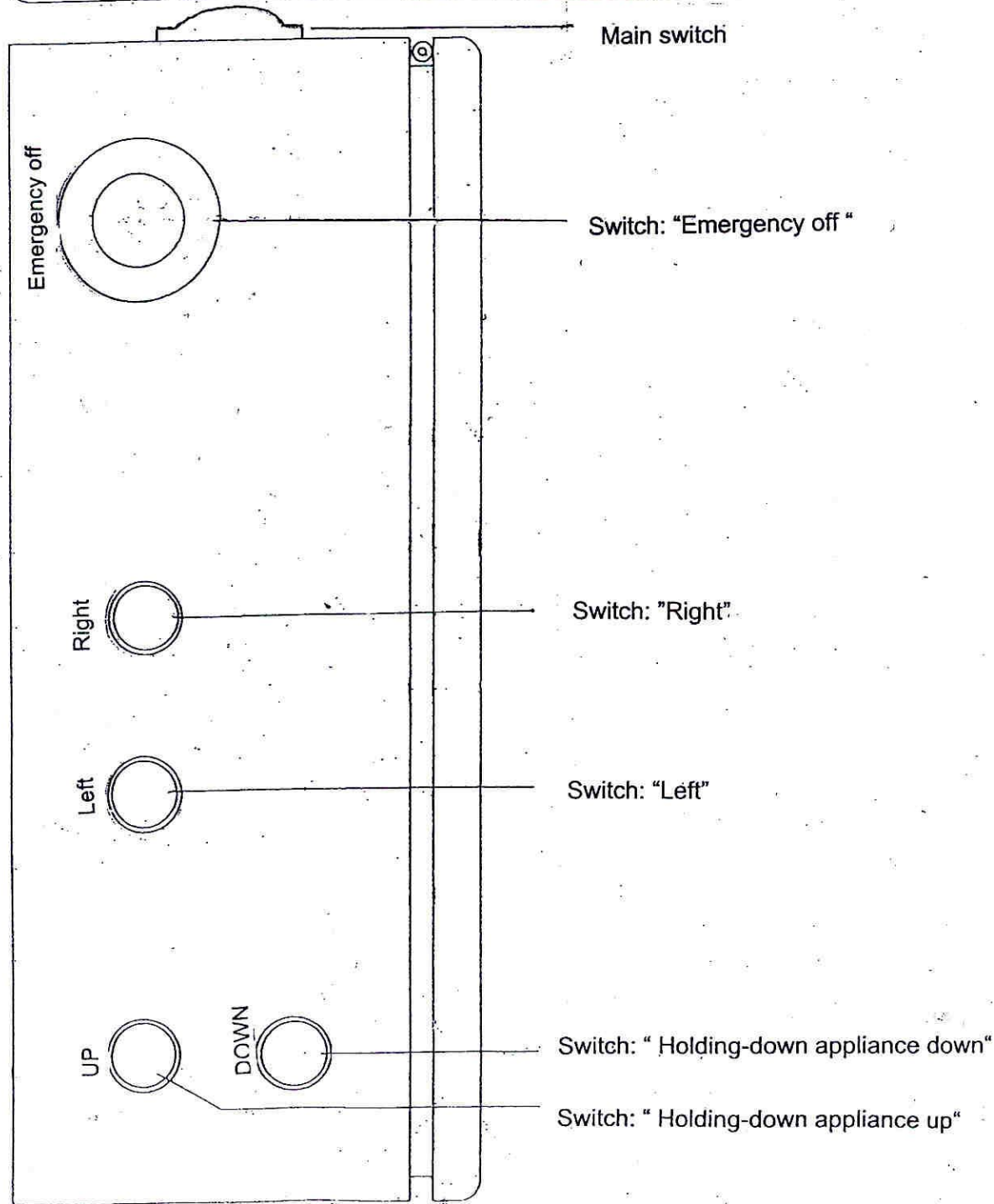
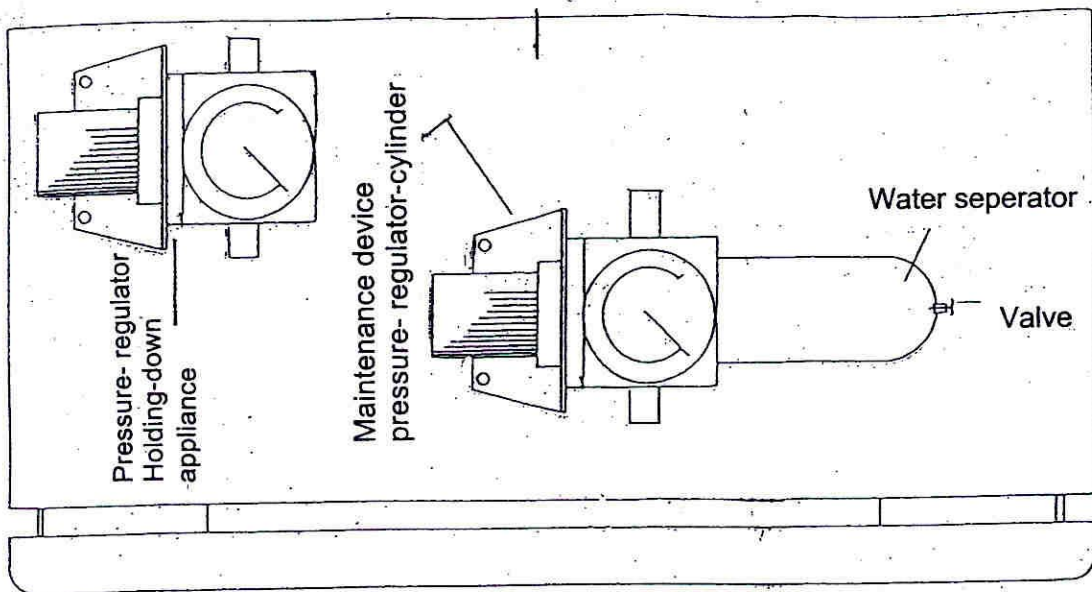
6.1 Pull out main plug!

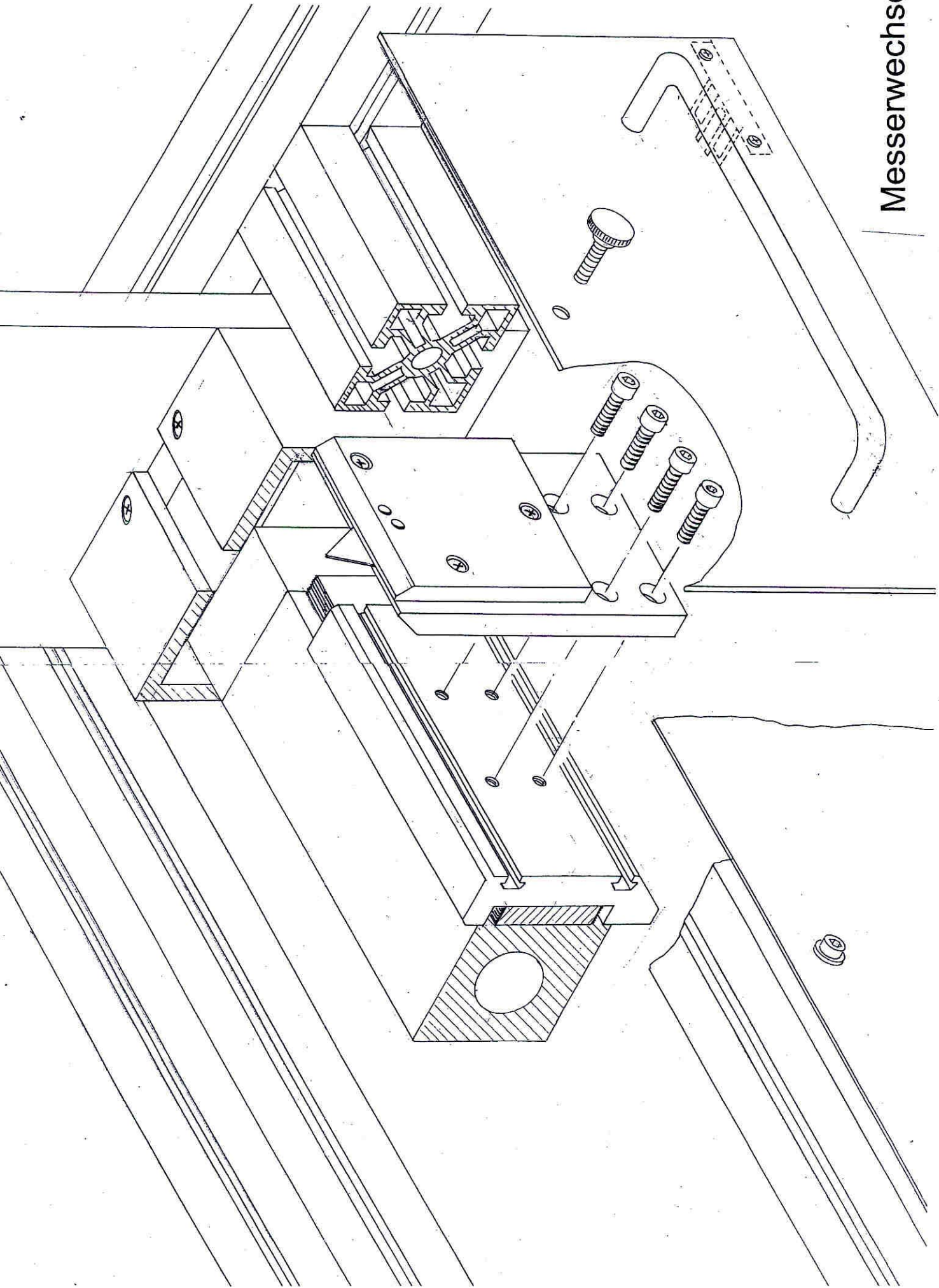
6.2 Unscrew fastening screws.

The complete lamp unit can now be taken out.

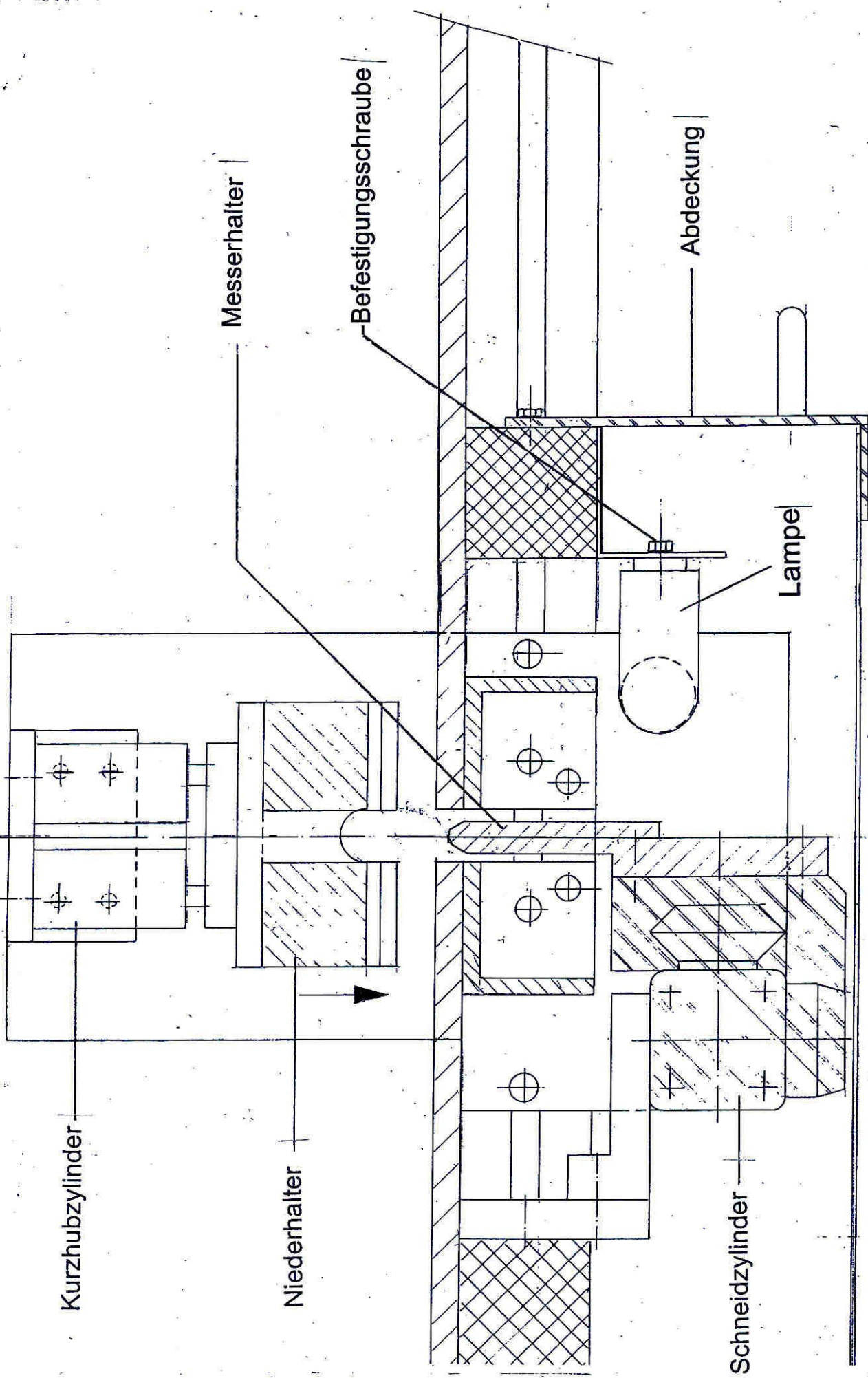
Notice: No other tube than such with a UV- protecting varnish must be used.

View:
left side





Messerwechsel



Kurzhubzylinder

Niederhalter

Messerhalter

Befestigungsschraube

Abdeckung

Lampe

Schneidzylinder

Lampenwechsel